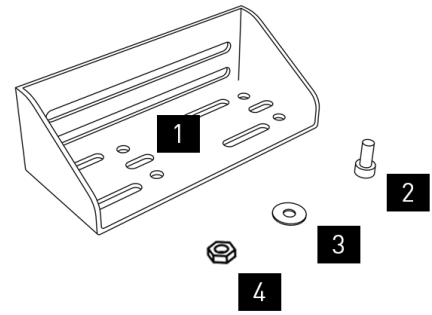


WHAT'S INCLUDED

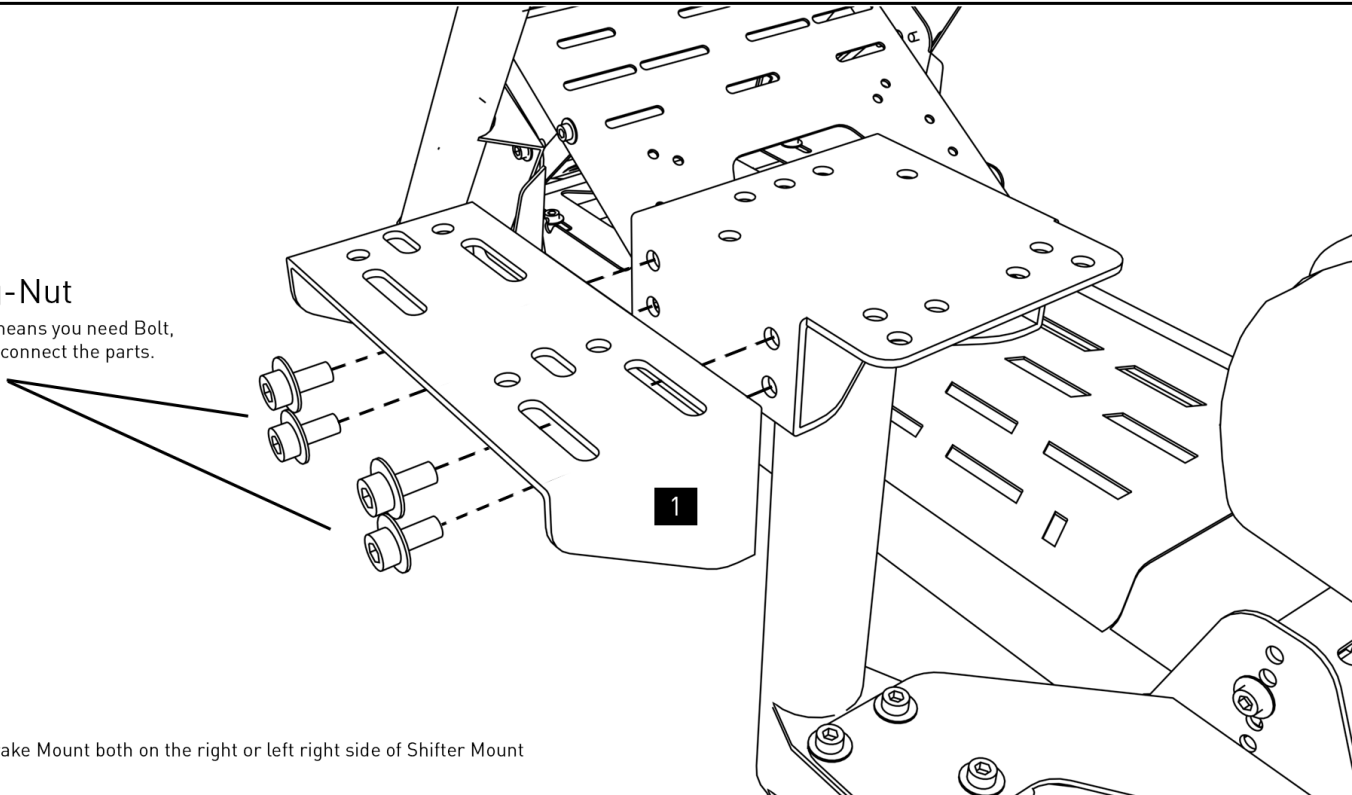
- 1** Handbrake Mount
- 2** Bolt (4 pcs)
- 3** Ring (4 pcs)
- 4** Nut (4 pcs)



1

Bolt-Ring-Nut

Bolt-Ring-Nut means you need Bolt, Ring and Nut to connect the parts.



Note:
You can install Handbrake Mount both on the right or left right side of Shifter Mount

2

