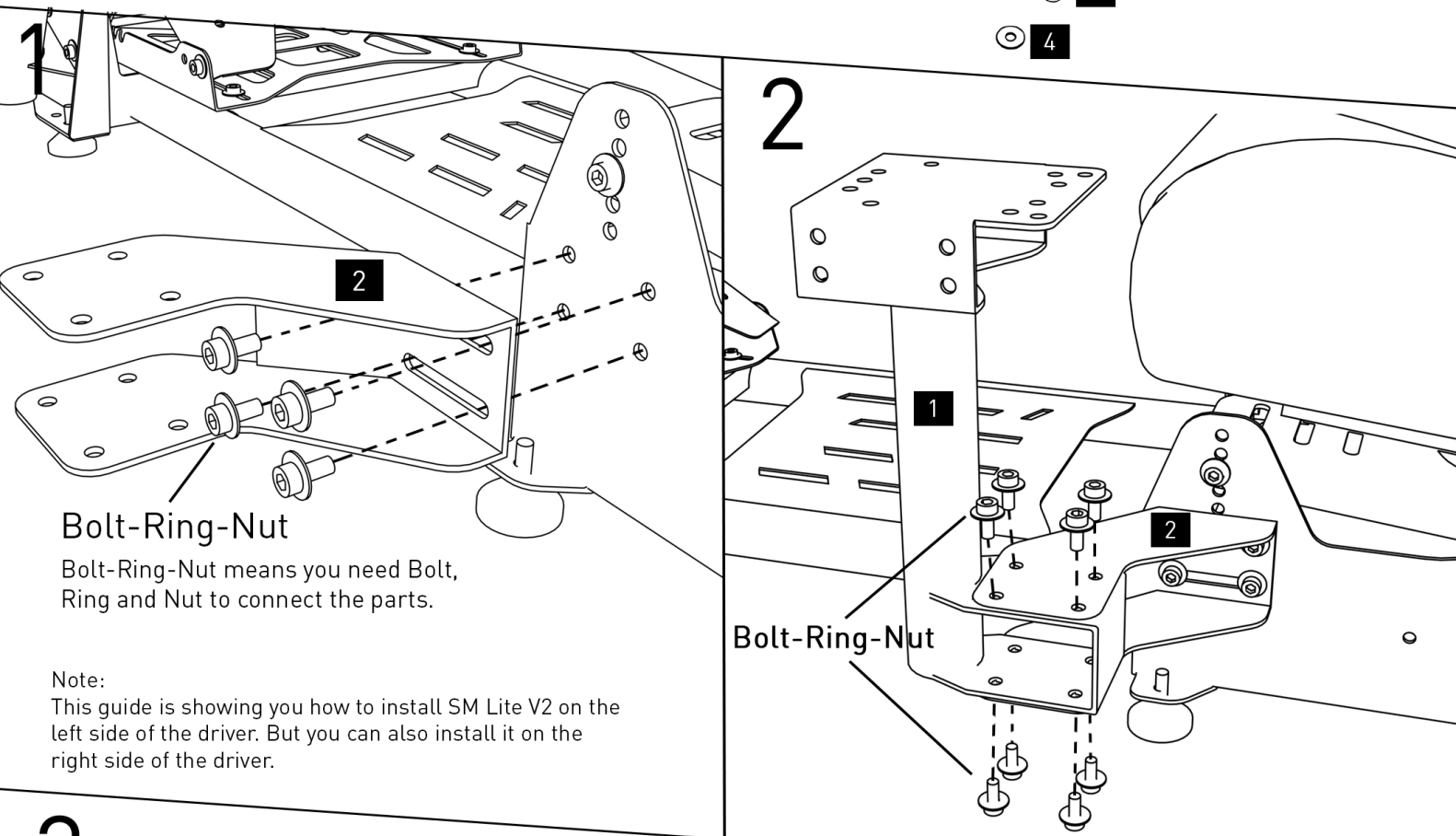
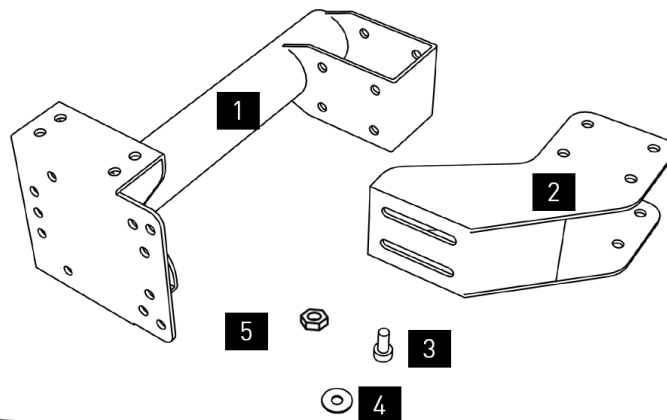


WHAT'S INCLUDED

- 1** Shifter Base Pipe
- 2** Shifter Base Pipe Bracket
- 3** 16mm Bolt (12 pcs)
- 4** Ring (12 pcs)
- 5** Nut (12 pcs)



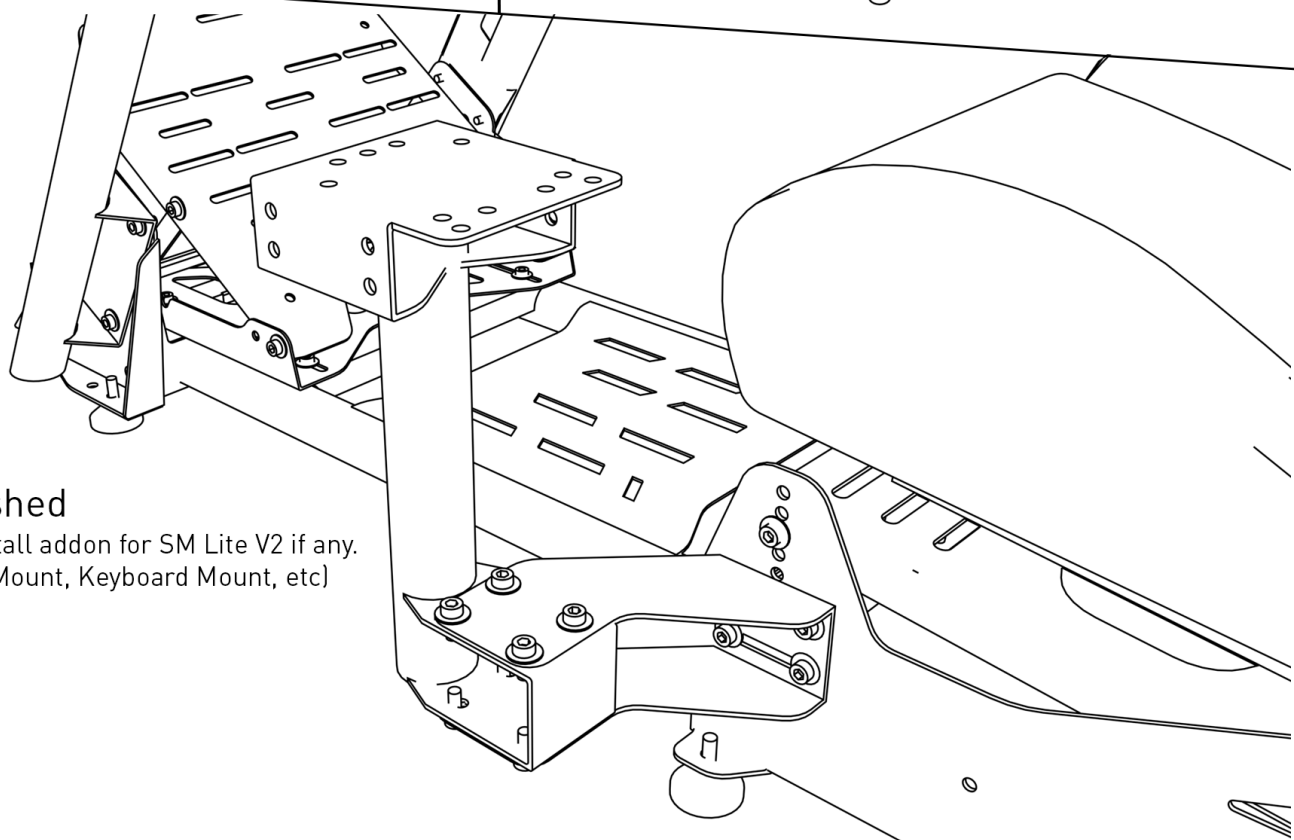
Bolt-Ring-Nut

Bolt-Ring-Nut means you need Bolt, Ring and Nut to connect the parts.

Note:

This guide is showing you how to install SM Lite V2 on the left side of the driver. But you can also install it on the right side of the driver.

3



You're Finished

Now you can install addon for SM Lite V2 if any. (ex: Handbrake Mount, Keyboard Mount, etc)